

Installation Note

**HP ESG-D Series Option UN9 Signal Generators
7 Mbyte RAM Upgrade Kit
HP Kit Part Number E4400-60217**



HP Part Number E4400-90342

Printed in USA June 1999 Supersedes May 1999

Notice.

The information contained in this document is subject to change without notice.

Hewlett-Packard makes no warranty of any kind with regard to this material, including but not limited to, the implied warranties of merchantability and fitness for a particular purpose. Hewlett-Packard shall not be liable for errors contained herein or for incidental or consequential damages in connection with the furnishing, performance, or use of this material.

© Copyright Hewlett-Packard Company 1999

All Rights Reserved. Reproduction, adaptation, or translation without prior written permission is prohibited, except as allowed under the copyright laws.

1400 Fountaingrove Parkway, Santa Rosa, CA 95403-1799, USA

Data Generator Assembly Replacement Kit

Product Affected:	HP E4430B, E4431B, E4432B, E4433B Signal Generators
Serial Numbers:	All
Options:	UN9
To Be Performed By:	(X) HP Service Center (X) Personnel Qualified by HP (X) HP Personnel on Site (X) Technical Customer
Estimated Installation Time:	1.0 Hour
Estimated Verification Time:	None

Introduction

Use the OptionUN9, 7 Mbyte RAM Upgrade Kit to increase the 1 Mbyte of RAM of an existing Option UN8 an additional 7 Mbytes.

There are no performance or verification tests associated with this kit. Perform an I/Q calibration after installing of the data generator assembly.

Option UN9 Upgrade Kit Contents

Item	Quantity	Description	Part Number
1	1	A8 8 MEG Data Generator Assembly	E4400-60183
2	1	Installation Note	E4400-90342

Tools Required

- ❑ T-10 TORX screwdriver
- ❑ T-15 TORX screwdriver
- ❑ T-20 TORX screwdriver
- ❑ Long nose pliers

WARNING Before you disassemble the instrument, turn the power switch off and unplug the instrument. Failure to unplug the instrument can result in personal injury.

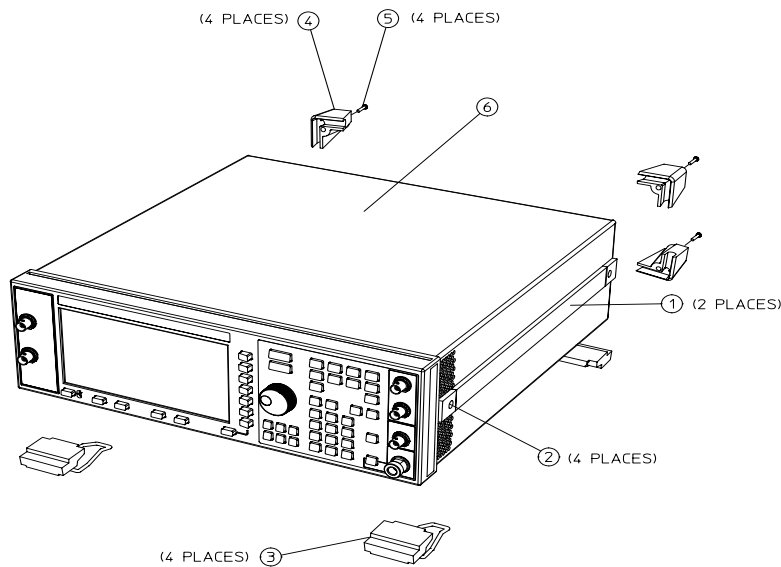
CAUTION Electrostatic discharge (ESD) can damage or destroy electronic components. All work on electronic assemblies should be performed at a static-safe workstation.

Procedure

Removing Option Hardware

1. Remove the instrument cover. (Refer to Figure 1.)
 - a. Remove the two strap handles (item 1) from each side of the signal generator by loosening the two screws (item 2) on each handle.
 - b. Remove the four bottom feet (item 3).
 - c. Remove the four rear feet (item 4) from the signal generator by removing the four screws (item 5) that secure them.
 - d. Slide the instrument cover (item 6) off the back of the signal generator.

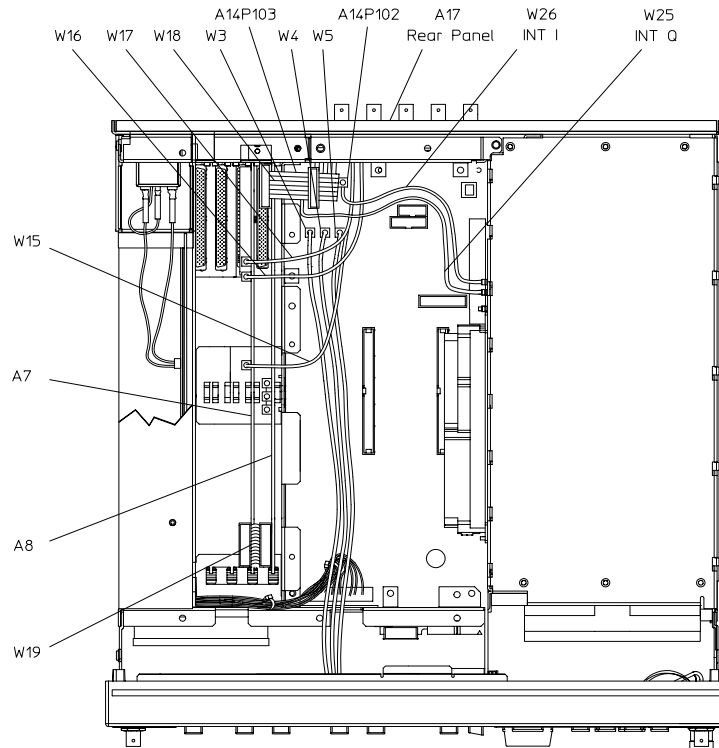
Figure 1 Removing the Instrument Cover



sk7104a

2. Perform the following steps to remove the A8 data generator assembly. (Refer to Figure 2.)
 - a. Remove the top cover by removing the screws that secure it.
 - b. Depending on your particular combination of installed options, there can be multiple flexible cables associated with the existing A8 data generator assembly. First note the locations of these cables, so that you can correctly reconnect them; and then disconnect them.
 - c. Pull up on the A8 data generator assembly to remove it from the motherboard connector.

Figure 2 Removing the A8 Data Generator Assembly



dk78b

Installing the New A8 Data Generator Assembly

1. Align the new A8 data generator into the slot and slide it into position. Firmly connect the A8 assembly to the motherboard connector.
2. Reconnect the cables to their appropriate assemblies.
3. Reinstall the instrument top cover.
4. Reinstall the instrument cover by reversing the removal procedure. Torque the screws as indicated:
 - Torque the four rear feet screws to 21 in-lbs.
 - Torque the strap handle screws to 21 in-lbs.

Activate Option UN9 (UN8 + UN9)

1. Plug in and turn the signal generator on. Let it warm up for at least 5 minutes.
2. Press **Preset, Utility, Instrument Adjustments, Hardware Options**.
3. Select Options UN8 and UN9 by highlighting Option UN8 and Option UN9, and then press **Select Item**. An X will be placed for each option in the “selected” column.
4. Press **Proceed With Configuration, Confirm Change** to install Options UN8 and UN9. The instrument will reboot and return to preset conditions.

Calibrate the Signal Generator and Verify Performance

1. Press **Preset, Utility, Instrument Adjustments, Hardware Options, Calibrate Selected Items**.
2. Press **Start calibration** and **Store Results**. The calibration takes several minutes. During the calibration, a message is displayed indicating the calibration is in progress and showing the percent complete. When the calibration is finished, the Hardware Options menu is returned.